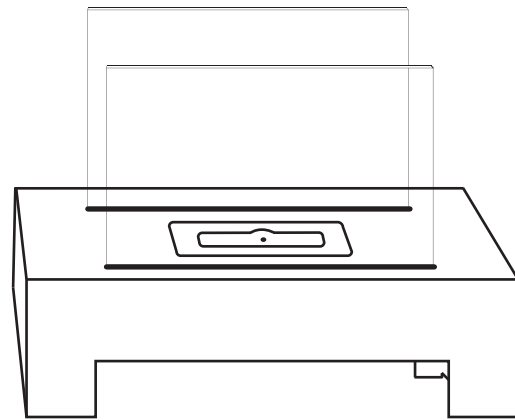




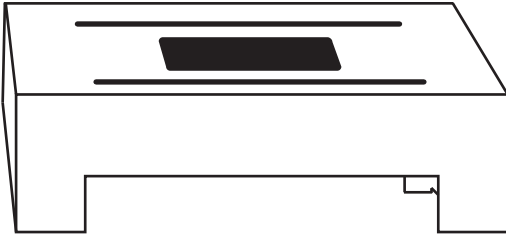


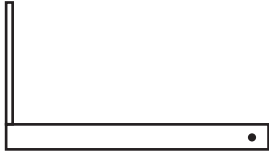
www.anywherefireplace.com
 Devco LLC
 Larchmont, NY 10538

This product has been designed for your enjoyment. Please carefully read all warnings and installation instructions before use.



Model: Gramercy Item# 90296

INCLUDED ITEMS

 <p>FIRE PLACE BASE X 1</p>	 <p>GLASS PANEL X 2</p>
 <p>FUEL TRAY X 1</p>	 <p>FUEL TRAY HANDLE X 1</p>

BIO-ETHANOL ANYWHERE FIREPLACE™

The high style and distinctive contemporary design of the **Anywhere Fireplace™** allows the ambiance of a fire to be enjoyed in any room, garden or patio. It is ventless, requiring no chimney or gas line because it uses clean burning bio-ethanol liquid fuel that is smokeless, odorless, and leaves no soot or ash. You can place the **Anywhere Fireplace™** in your house, condo, apartment, terrace, garden, office or restaurant. It is sure to match most any décor and adds a rich warm atmosphere to your bedroom, living room, den, dining room... This unique, impressive, eco-friendly modern answer to the fireplace creates a bright yellow, orange and red flame, spreading cheerful glow across the room. It is non-toxic, non-polluting, has no messy clean up and is virtually free of maintenance. One liter of fuel can burn for up to 5 hours. (Do Not leave outside when not in use.)

QUESTIONS

For any questions related to parts or installation visit us on the web at www.anywherefireplace.com or email us at info@anywherefireplace.com

WARNING

The **Anywhere Fireplace™** is ONLY to be used with bio-ethanol liquid fuel for fireplaces. The bio-ethanol fuel is a flammable product that requires strict adherence of the safety instructions.

IMPORTANT SAFETY MEASURES

- This fireplace will produce heat, but should not be used as a main source of heat
- This fireplace is intended to be placed on a floor or sturdy surface
- Be sure to keep any flammable materials such as drapes/curtains and any decorations at least 4 ft away from fireplace
- Do not place any items on top of or inside fireplace
- Do not touch the fireplace while lit or still hot
- USE ONLY APPROVED BIO-ETHANOL LIQUID FUEL FOR FIREPLACES (may also be known as denatured ethanol or denatured alcohol)
- It is extremely dangerous and forbidden to use bio-ethanol car fuel or any other unapproved fuel
- Never fill the fuel tray more than 2/3 full
- Never add fuel to the fuel tray while fire is burning or unit is still hot. Allow at least 15 minutes for fuel tray to cool down before refueling
- Do not ingest bio-ethanol fuel and avoid contact with eyes and skin
- Be sure to not spill any fuel outside of the fuel tray. If you do spill, make sure to wipe up all spillage before igniting the fire
- Only use a long match or long lighter to ignite fire
- Be sure to have a fire extinguishing device in the proximity of the fireplace in case of emergencies
- Never leave a lit fireplace unattended
- Be sure to keep children and pets away from the fireplace while lit and while still hot after extinguishing
- Do not smoke when filling the fuel tray with fuel
- Store your fuel containers away from any heat source
- Be sure to store and keep your fuel away and out of reach of children and pets
- To adjust flame height, use handle to open/close fuel tray lid
- To extinguish flame, use handle to close fuel tray completely
- It is forbidden to modify this fireplace in any way

INSTALLATION

- Choose a location 4 ft away from flammable objects or materials (drapes, fabrics, furniture, etc.)
- Be sure to remove all packing materials, cardboard, plastic, film etc
- The fireplace is intended to be placed on a floor or sturdy surface
- Insert glass panels into long slots in the front and back of fireplace

FUEL INFORMATION

- **Anywhere Fireplace Bio-Ethanol Liquid Fuel™** is recommended for use. It has been specifically formulated for use in all brands of indoor fireplaces to be the safest, greenest bio-ethanol fuel available while being 100% compliant with US laws and regulations.
- **Anywhere Fireplace Bio-Ethanol Liquid Fuel™** burns clean without emitting any toxins into the air. Only harmless water vapor produced as a byproduct and a small amount of Carbon Dioxide
- **Anywhere Fireplace Bio-Ethanol Liquid Fuel™** is made from plants and is a renewable source of energy
- For an extra measure of child safety, Bitrex® a human aversive, has been added to make the fuel extremely bitter, so bitter that it is all but impossible to swallow
- **Anywhere Fireplace Bio-Ethanol Liquid Fuel™** may be purchased at www.anywherefireplace.com. To receive a discount, use **special discount code AF110**
- If using other brands, be sure to USE ONLY APPROVED BIO-ETHANOL LIQUID FUEL FOR FIREPLACES (may also be known as denatured ethanol, ethyl alcohol, or denatured alcohol)