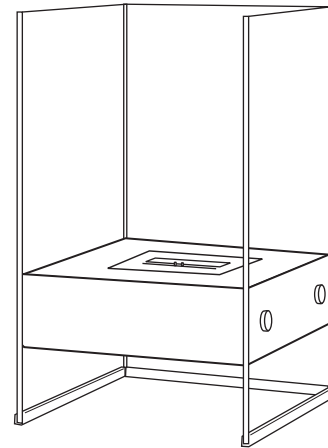




www.anywherefireplace.com
Devco LLC
Larchmont, NY 10538

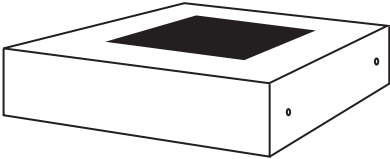
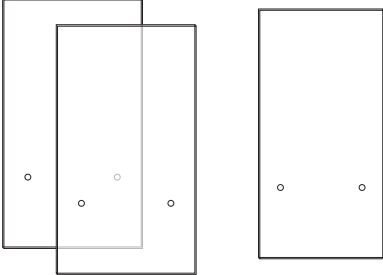
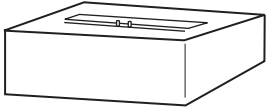




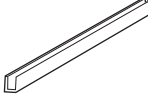
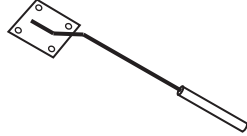

This product has been designed for your enjoyment. Please carefully read all warnings and installation instructions before use.



Model: Hudson

Model # 90205

INCLUDED ITEMS

 <p>FIREPLACE BODY (A) x 1</p>		 <p>TEMPERED GLASS PANELS (B) LARGE - x 2 SMALL - x 1</p>		 <p>BURNER (C) x 1</p>		
 <p>BLACK SCREW (D) x 6</p>	 <p>RUBBER WASHER (E) x 6</p>	 <p>NUT (F) x 6</p>	 <p>WASHER (G) x 6</p>	 <p>RUBBER FLOOR PROTECTOR STRIPS (H) x 3</p>	 <p>BURNER HANDLE (I) x 1</p>	 <p>FUNNEL (J) x 1</p>

ANYWHERE FIREPLACE™ Hudson Model

The high style and distinctive contemporary design of the Anywhere Fireplace™ allows the ambiance of a fire to be enjoyed in any room, garden or patio. It is ventless, requiring no chimney or gas line because it uses clean burning bio-ethanol liquid fuel that is smokeless, odorless, and leaves no soot or ash. It is suitable for indoor or outdoor use, so you can place the Anywhere Fireplace™ in your house, condo, apartment, terrace, garden, office or restaurant. The Hudson is made with fire resistant safety glass that has shatter resistant properties and with top quality 430 stainless steel fuel burner that sits inside a steel body with a high quality black outdoor rated powder coated finish. It is sure to match most any décor and adds a rich warm atmosphere to your bedroom, living room, den, dining room, deck, poolside... This unique, impressive, eco-friendly modern answer to the fireplace creates a bright yellow, orange and red flame, spreading cheerful glow across your space, indoor or outdoor. The fuel is non-toxic, non-polluting, has no messy clean up and the fireplace is virtually free of maintenance. One liter of fuel can burn for up to 5 hours. (Do Not leave the burner outside when not in use to insure that no water or debris gets into it.)

QUESTIONS

For any questions related to parts or installation visit us on the web at www.anywherefireplace.com or email us at info@anywherefireplace.com

WARNING

The **Anywhere Fireplace™** is **ONLY** to be used with **BIO-ETHANOL LIQUID FUEL FOR FIREPLACES**. The bio-ethanol fuel is a flammable product that requires strict adherence of the safety instructions.

IMPORTANT SAFETY MEASURES

- This fireplace will produce heat, but should not be used as a main source of heat
- This fireplace is intended to be placed on a floor or sturdy surface
- Be sure to keep any flammable materials such as drapes/curtains and any decorations at least 4 ft away from fireplace
- Do not place any items on top of or inside fireplace
- Do not touch the fireplace while lit or still hot
- **USE ONLY APPROVED BIO-ETHANOL LIQUID FUEL FOR FIREPLACES**
- It is extremely dangerous and forbidden to use bio-ethanol car fuel or any other unapproved fuel
- Always use a funnel to fill the fireplace with fuel
- Never fill the burner more than $\frac{3}{4}$ full
- **Never add fuel to the burner while fire is burning or unit is still hot. Allow at least 15 minutes for fuel tray to cool down before refueling**
- Do not ingest bio-ethanol fuel and avoid contact with eyes and skin
- Be sure to not spill any fuel outside of the burner. If you do spill, make sure to wipe up all spillage before igniting the fire
- Only use a long match or long lighter to ignite fire
- Be sure to have a fire extinguishing device in the proximity of the fireplace in case of emergencies
- Never leave a lit fireplace unattended
- Be sure to keep children and pets away from the fireplace while lit and while still hot after extinguishing
- Do not smoke when filling the burner with fuel
- Store your fuel containers away from any heat source
- Be sure to store and keep your fuel away and out of reach of children and pets
- To adjust flame height, use handle to open/close burner lid
- To extinguish flame, use burner handle to close burner completely
- It is forbidden to modify this fireplace in any way
- This model is suitable for indoor or outdoor use, but **DO NOT** leave the burner outside when not in use to insure that no water or debris gets into it.
- The glass in this fireplace is made with fire resistant safety glass that has shatter resistant properties.

FUEL INFORMATION

- **USE ONLY APPROVED BIO-ETHANOL LIQUID FUEL FOR FIREPLACES**
- **Bio-Ethanol Liquid Fuel** for fireplaces burns clean without emitting any toxins into the air. Only harmless water vapor and CO₂ are produced as byproducts
- **Bio-Ethanol Liquid Fuel** may be purchased at www.anywherefireplace.com.

INSTALLATION

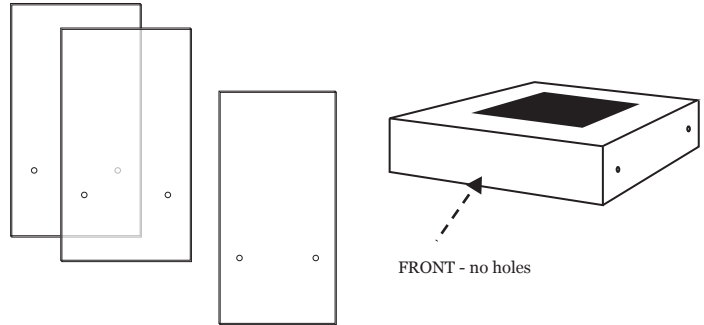
- Choose a location 4 ft away from flammable objects or materials (drapes, fabrics, furniture, etc.)
- Be sure to remove all packing materials, cardboard, etc. except for white cloth-like material in burner
- White cloth-like material in burner must stay in burner
- The fireplace is intended to be placed on a floor or sturdy surface.
- **If you choose to leave fireplace outside, wait until fireplace and burner are cool and either cover the burner or bring the burner indoors to avoid water, leaves, and debris from getting into it**

ASSEMBLY INSTRUCTIONS

We recommend you assemble your fireplace on a carpeted surface or towel to prevent damage to your floor or the fireplace.

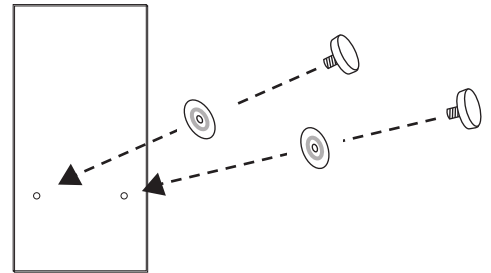
Step 1

You will notice 2 pieces of glass are a little wider than the 3rd piece (Parts B). The 2 wider pieces are to be used on the sides of the fireplace body (Part A) and the narrower to be used for the back panel. Also please notice that the body of the fireplace has holes on 3 of the 4 sides.



Step 2

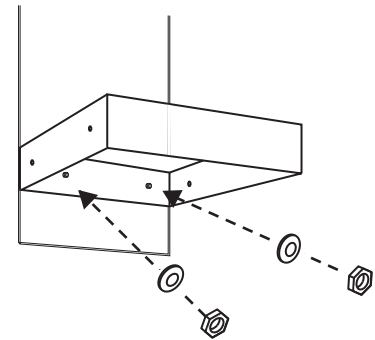
Note: The fireplace is designed to be suspended between three glass pieces. The holes in the glass are 5.25 inches from the bottom of the glass. Select the narrow glass panel (back panel), holding it upright with the holes in the glass closer to the floor, and insert the rubber washers (Part E) into the holes. Insert the black screws (Part D) into the rubber washers.



Step 3

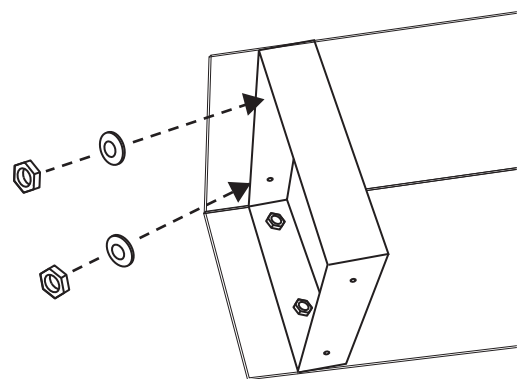
Align the holes on the **back** of the fireplace body (opposite the side with no holes) with the screws. Take a nut and washer (parts G and F) and hold it up to the screws from the underside of the fireplace. Hand tighten the screws while holding the nut in place.

Hand tightening of the nut and screw should be sufficient however if you intend to move your fireplace often to different locations, we suggest you always check that the screws are tight or tighten with a wrench or pliers. **Be sure not to over tighten.**



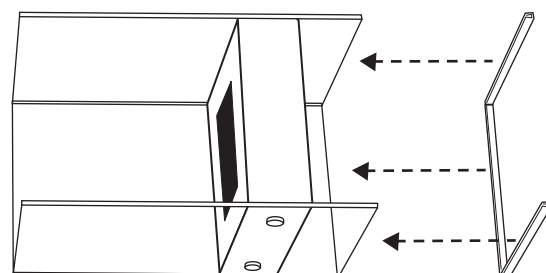
Step 4

Lay the fireplace body and glass on the floor so that the side of the fireplace body without pre drilled holes is facing up. Insert the rubber washer and black screw into the holes in the glass and line up one of the side pieces of glass with the holes on the side of the body. Secure this glass with the nut and washer by tightening the black screw while holding nut in place. NOTE: When properly assembled, glass should be flush with the front of the body and extend approximately 1/4 inch off the back of the fireplace body to make a perfect 90 degree corner where the side and back glass pieces meet. Repeat same step for the 2nd side of glass.

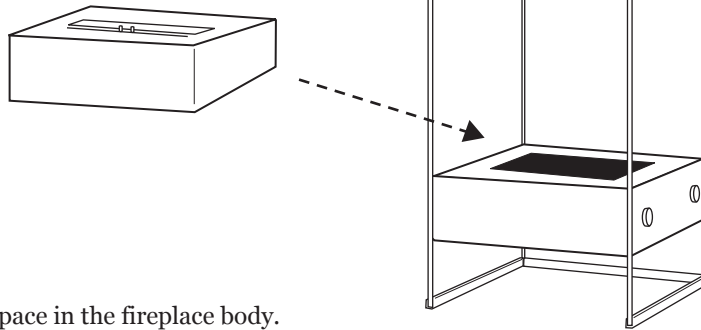


Step 5

Slide clear rubber floor protector strips (Part H) to bottom of the fireplace glass and turn it upright. If rubber is longer than the glass, you can cut this to proper length with scissors.



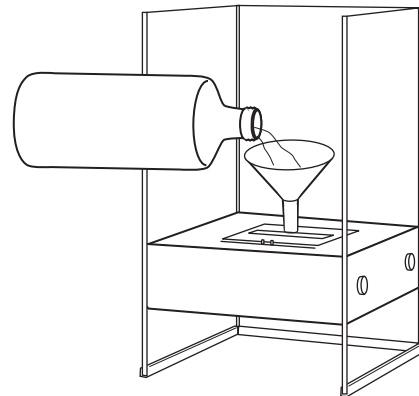
Step 6



Insert burner (Part C) into the recess space in the fireplace body.

Step 7

Carefully pour in the liquid ethanol fuel using the funnel provided (Part J) and fill approximately $\frac{3}{4}$ full. **If any fuel does spill, you should always wipe up any spilled fuel prior to lighting your fireplace. Never overfill. You will notice a white cloth like material in your burner. Do not remove this. It is a fiberglass material safe to burn and is intended to be there for safety and better flames.**

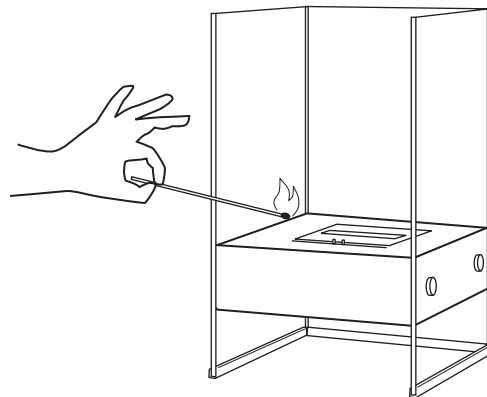


Step 8

Using a long lighter or long match, light the fuel in the burner and ENJOY!

CAUTION: Fireplace will be hot while lit and may stay hot for a while after extinguishing the flame.

ALWAYS USE CAUTION when lighting the fireplace. Never fill the burner with more fuel while the fireplace is still hot or burning. Allow it to cool down before refilling with fuel.



Step 9

The handle provided (Part I) has holes that will fit over the posts on the sliding lid of the burner. You can slide the lid of the burner open or closed to get the desired flame height and heat output. When you are ready to extinguish the fireplace, use the handle to slide the lid of the burner completely closed to cut off the oxygen supply to the fuel. This will snuff out the flame.

