

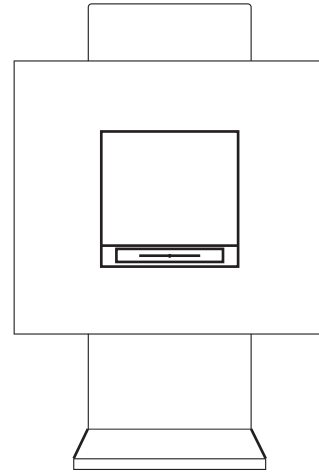


www.anywherefireplace.com

Devco LLC

Larchmont, NY 10538

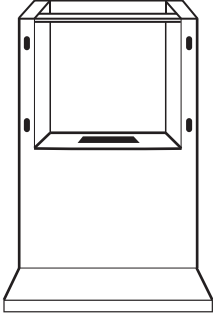
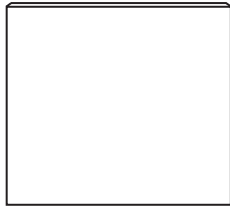
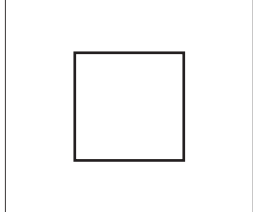

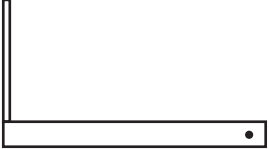
This product has been designed for your enjoyment. Please carefully read all warnings and installation instructions before use.



Model: Tribeca

Item# 90297

INCLUDED ITEMS

<p>FIRE PLACE BASE X 1</p> 	<p>TOP OF STAND X 1</p> 	
<p>FACE PLATE X 1</p> 	<p>FUEL TRAY X 1</p> 	<p>FUEL TRAY HANDLE X 1</p> 

BIO-ETHANOL ANYWHERE FIREPLACE™

The high style and distinctive contemporary design of the **Anywhere Fireplace™** allows the ambiance of a fire to be enjoyed in any room, garden or patio. It is ventless, requiring no chimney or gas line because it uses clean burning bio-ethanol liquid fuel that is smokeless, odorless, and leaves no soot or ash. You can place the **Anywhere Fireplace™** in your house, condo, apartment, terrace, garden, office or restaurant. It is sure to match most any décor and adds a rich warm atmosphere to your bedroom, living room, den, dining room... This unique, impressive, eco-friendly modern answer to the fireplace creates a bright yellow, orange and red flame, spreading cheerful glow across the room. It is non-toxic, non-polluting, has no messy clean up and is virtually free of maintenance. One liter of fuel can burn for up to 5 hours. (Do Not leave outside when not in use.)

QUESTIONS

For any questions related to parts or installation visit us on the web at www.anywherefireplace.com or email us at info@anywherefireplace.com

WARNING

The **Anywhere Fireplace™** is ONLY to be used with bio-ethanol liquid fuel for fireplaces. The bio-ethanol fuel is a flammable product that requires strict adherence of the safety instructions.

IMPORTANT SAFETY MEASURES

- This fireplace will produce heat, but should not be used as a main source of heat
- This fireplace is intended to be placed on a floor or sturdy surface
- Be sure to keep any flammable materials such as drapes/curtains and any decorations at least 4 ft away from fireplace
- Do not place any items on top of or inside fireplace
- Do not touch the fireplace while lit or still hot
- USE ONLY APPROVED BIO-ETHANOL LIQUID FUEL FOR FIREPLACES (may also be known as denatured ethanol or denatured alcohol)
- It is extremely dangerous and forbidden to use bio-ethanol car fuel or any other unapproved fuel
- Never fill the fuel tray more than 2/3 full
- Never add fuel to the fuel tray while fire is burning or unit is still hot. Allow at least 15 minutes for fuel tray to cool down before refueling
- Do not ingest bio-ethanol fuel and avoid contact with eyes and skin
- Be sure to not spill any fuel outside of the fuel tray. If you do spill, make sure to wipe up all spillage before igniting the fire
- Only use a long match or long lighter to ignite fire
- Be sure to have a fire extinguishing device in the proximity of the fireplace in case of emergencies
- Never leave a lit fireplace unattended
- Be sure to keep children and pets away from the fireplace while lit and while still hot after extinguishing
- Do not smoke when filling the fuel tray with fuel
- Store your fuel containers away from any heat source
- Be sure to store and keep your fuel away and out of reach of children and pets
- To adjust flame height, use handle to open/close fuel tray lid
- To extinguish flame, use handle to close fuel tray completely
- It is forbidden to modify this fireplace in any way

INSTALLATION

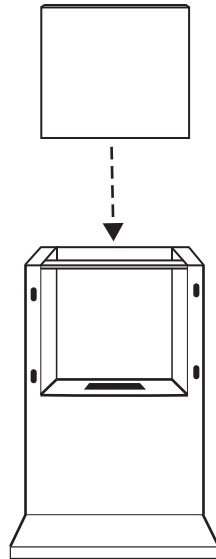
- Choose a location 4 ft away from flammable objects or materials (drapes, fabrics, furniture, etc.)
- Be sure to remove all packing materials, cardboard, plastic, film etc
- The fireplace is intended to be placed on a floor or sturdy surface

FUEL INFORMATION

- **Anywhere Fireplace Bio-Ethanol Liquid Fuel™** is recommended for use. It has been specifically formulated for use in all brands of indoor fireplaces to be the safest, greenest bio-ethanol fuel available while being 100% compliant with US laws and regulations.
- **Anywhere Fireplace Bio-Ethanol Liquid Fuel™** burns clean without emitting any toxins into the air. Only harmless water vapor produced as a byproduct and a small amount of Carbon Dioxide
- **Anywhere Fireplace Bio-Ethanol Liquid Fuel™** is made from plants and is a renewable source of energy
- For an extra measure of child safety, Bitrex® a human aversive, has been added to make the fuel extremely bitter, so bitter that it is all but impossible to swallow
- **Anywhere Fireplace Bio-Ethanol Liquid Fuel™** may be purchased at www.anywherefireplace.com. To receive a discount, use **special discount code AF110**
- If using other brands, be sure to USE ONLY APPROVED BIO-ETHANOL LIQUID FUEL FOR FIREPLACES (may also be known as denatured ethanol, ethyl alcohol, or denatured alcohol)

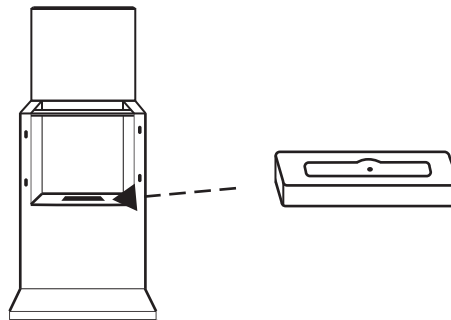
INSTALLATION INSTRUCTIONS

Step 1



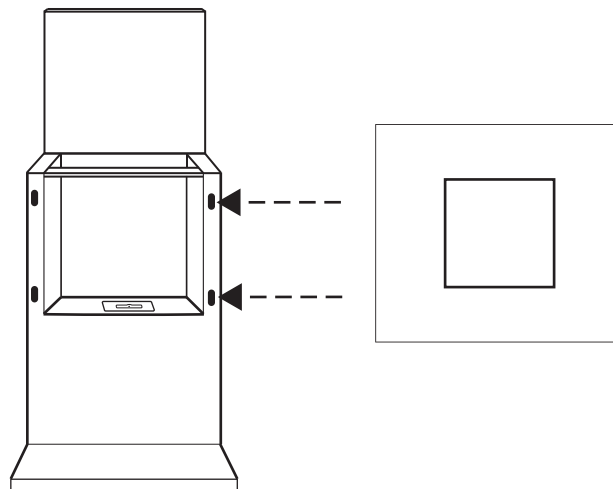
Place bottom half of the stand which is where the fuel tray will sit on level surface and insure that rear legs are folded outward. Insert the top portion of the stand on to the bottom of the stand.

Step 2



Insert Fuel Tray into the recess inside of the Flame Box

Step 3



Securely hang the face of the fireplace onto the stand by inserting the four clips on the back of the face into the corresponding slots on the stand.