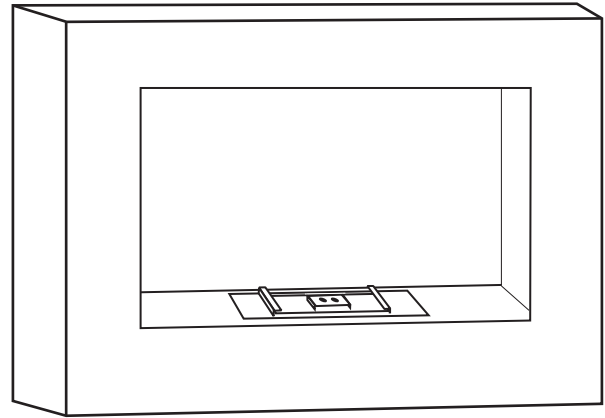




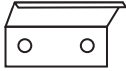




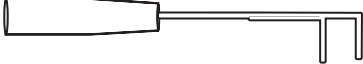
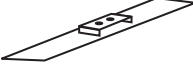
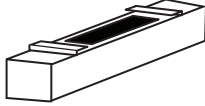

[www.anywherefireplace.com](http://www.anywherefireplace.com)  
**Devco LLC**  
**Larchmont, NY 10538**

This product has been designed for your enjoyment. Please carefully read all warnings and installation instructions before use.



**Model: SoHo**    **Item #90299 Stainless Steel**  
**Item #90200 Black Finish**

**INCLUDED ITEMS**

 <b>WALL BRACKET</b> X 2	 <b>ANCHOR</b> X 4	 <b>ANCHOR SCREW</b> X 4	 <b>SPACER</b> X 4	 <b>SPACER SCREW</b> X 4
 <b>BURNER HANDLE</b> X 1	 <b>BURNER LID</b> X 1	 <b>BURNER</b> X 1	 <b>FUNNEL</b> X 1	

**YOU WILL NEED**

**PENCIL, DRILL, LEVEL, TAPE MEASURE, HAMMER, SCREWDRIVER**

**ANYWHERE FIREPLACE™**

The high style and distinctive contemporary design of the **Anywhere Fireplace™** allows the ambiance of a fire to be enjoyed in any room. It is ventless, requiring no chimney or gas line because it uses clean burning bio-ethanol liquid fuel that is smokeless, odorless, and leaves no soot or ash. You can hang the **Anywhere Fireplace™** on any wall in your house, condo, apartment, office or restaurant. It is sure to match most any décor and adds a rich warm atmosphere to your bedroom, living room, den, dining room... This unique, impressive, eco-friendly modern answer to the fireplace creates a bright yellow, orange and red flame, spreading cheerful glow across the room. It is non-toxic, non-polluting, has no messy clean up and is virtually free of maintenance. One quart of fuel can burn for up to 5 hours.

**QUESTIONS**

For any questions related to parts or installation visit us on the web at [www.anywherefireplace.com](http://www.anywherefireplace.com) or email us at [info@anywherefireplace.com](mailto:info@anywherefireplace.com)

## WARNING

The **Anywhere Fireplace™** is **ONLY** to be used with bio-ethanol **LIQUID** fuel for fireplaces. The bio-ethanol fuel is a flammable product that requires strict adherence of the safety instructions.

## IMPORTANT SAFETY MEASURES

- This fireplace will produce heat, but should not be used as a main source of heat
- This fireplace is intended to be wall mounted and must not be set on the floor
- Be sure to keep any flammable materials such as drapes/curtains and any decorations at least 4 ft away from fireplace
- Do not place any items on top of or inside fireplace
- Do not touch the fireplace while lit or still hot
- **USE ONLY APPROVED BIO-ETHANOL LIQUID FUEL FOR FIREPLACES**
- It is extremely dangerous and forbidden to use bio-ethanol car fuel or any other unapproved fuel
- Never fill the burner more than 2/3 full
- **Never add fuel to the burner while fire is burning or unit is still hot. Allow at least 15 minutes for fuel tray to cool before refueling**
- Do not ingest bio-ethanol fuel and avoid contact with eyes and skin
- Be sure to not spill any fuel outside of the fuel tray. If you do spill, make sure to wipe up all spillage before igniting the fire
- Only use a long match or long lighter to ignite fire
- Be sure to have a fire extinguishing device in the proximity of the fireplace in case of emergencies
- Never leave a lit fireplace unattended
- Be sure to keep children and pets away from the fireplace while lit and while still hot after extinguishing
- Do not smoke when filling the fireplace with fuel
- Store your fuel containers away from any heat source
- Be sure to store and keep your fuel away and out of reach of children and pets
- To adjust flame height, use supplied burner handle to open/close burner lid
- To extinguish flame, use supplied burner handle to close burner completely
- It is forbidden to modify this fireplace in any way

## INSTALLATION

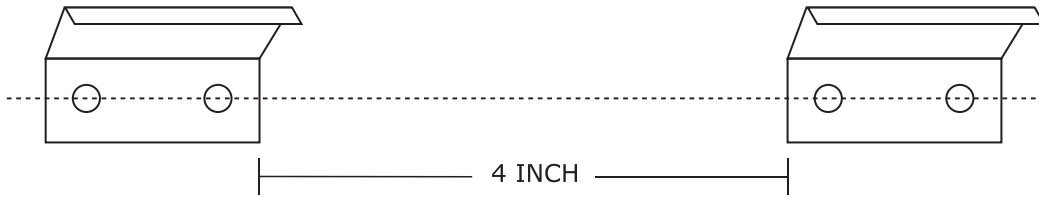
- Choose a mounting location 4 ft away from flammable objects or materials (drapes, fabrics, furniture, etc.)
- Be sure to remove all packing materials, cardboard, plastic, film etc
- Fireplace must be installed on a wall and may not be used on the floor
- Do not fill space between fireplace and wall with any insulating product. Leave area open to allow airflow
- Make sure wall mounting brackets are secure to the wall and mounted upright (see diagram on next page)

## FUEL INFORMATION

- **USE ONLY APPROVED BIO-ETHANOL LIQUID FUEL FOR FIREPLACES**
- **Bio-Ethanol Liquid Fuel** for fireplaces burns clean without emitting any toxins into the air. Only harmless water vapor and CO<sub>2</sub> are produced as byproducts
- **Anywhere Fireplace Bio-Ethanol Liquid Fuel** may be purchased at [www.anywherefireplace.com](http://www.anywherefireplace.com).

## MOUNTING INSTRUCTIONS

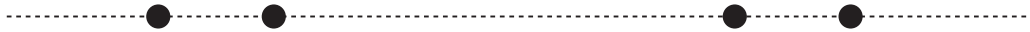
### Step 1



Use a level to mark a straight line with a pencil on the wall where you will mount the brackets. The wall should be made from drywall, tile, brick, stone, etc. It must not be flammable (e.g. no wallpaper or wood) Make sure you mount the fireplace at least 4 feet away from any drapes or flammable materials.

The inside edges of the brackets should be spaced 4 inches apart. Mark bracket hole locations on the wall with a pencil keeping them level with the line previously drawn.

### Step 2



Using a 3/8" drill bit, drill holes into the wall on the 4 spots where you marked the bracket hole locations.

**To UPDATE:  
Bit size will  
change**

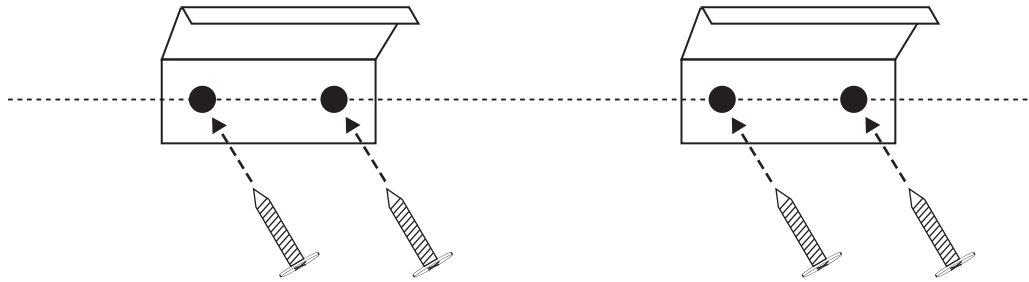
### Step 3



Insert the wall anchors flush into holes in wall as shown above. A light tap with a hammer might be necessary to insure it is inserted flush with the wall. If you drill a hole into a wooden stud, the plastic wall anchor is not necessary.

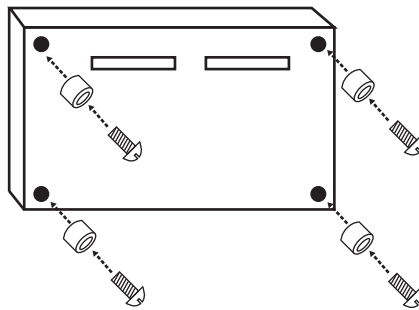
**NOTE:** The wall anchors provided are intended to be used in drywall. If mounting on another wall surface, make sure you have the proper mounting hardware.

## Step 4



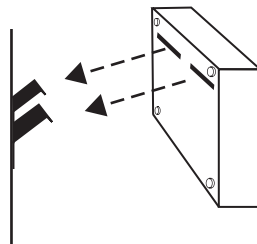
Place brackets over holes of anchors and attach to the wall by inserting the screw through the bracket into the anchors in the wall. Make sure brackets are attached in the proper position. See above illustration for reference.

## Step 5



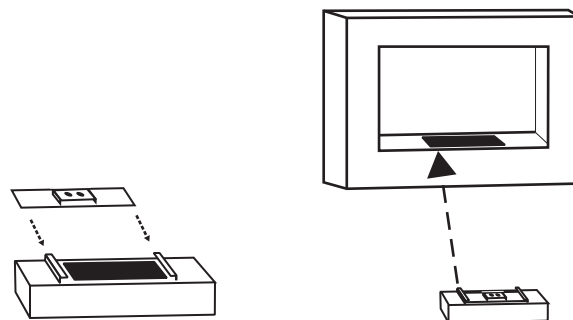
Using a screwdriver, attach wall spacers to the back of the fireplace in the predrilled holes using the spacer screw. If they are already attached, insure it is on securely.

## Step 6



Hang fireplace on the wall by placing the open slots on the back of the fireplace onto the mounted brackets.

## Step 7



Insert burner into fireplace and cover with the provided burner lid. Using funnel, fill  $\frac{2}{3}$  full with LIQUID bio-ethanol fuel. Light using a long lighter or long match and enjoy!