



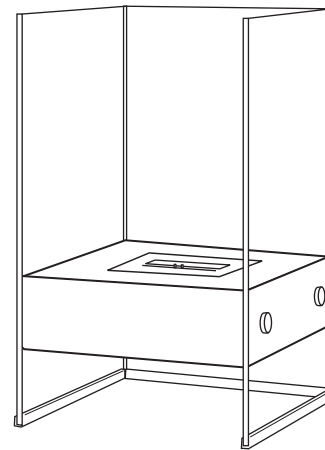
ambiance of fire... anywhere

[www.anywherefireplace.com](http://www.anywherefireplace.com)

Devco LLC

Larchmont, NY 10538

This product has been designed for your enjoyment. Please carefully read all warnings and installation instructions before use.



Model: Hudson

Item #90205

### INCLUDED ITEMS

<p>FIREPLACE BODY (A) x 1</p>		<p>TEMPERED GLASS PANELS (B) LARGE - x 2 SMALL - x 1</p>		<p>BURNER (C) x 1</p>		<p>FUNNEL (J) x 1</p>	
<p>BLACK SCREW (D) x 6</p>	<p>RUBBER WASHER (E) x 6</p>	<p>NUT (F) x 6</p>	<p>WASHER (G) x 6</p>	<p>RUBBER FLOOR PROTECTOR STRIPS (H) x 3</p>		<p>BURNER HANDLE (I) x 1</p>	

### ANYWHERE FIREPLACE™ Hudson Model

The high style and distinctive contemporary design of the **Anywhere Fireplace™** allows the ambiance of a fire to be enjoyed in any room, garden or patio. It is ventless, requiring no chimney or gas line because it uses clean burning bio-ethanol liquid fuel that is smokeless, odorless, and leaves no soot or ash. It is suitable for indoor or outdoor use, so you can place the **Anywhere Fireplace™** in your house, condo, apartment, terrace, garden, office or restaurant. The Hudson is made with tempered safety glass and a high quality stainless steel burner. It is sure to match most any décor and adds a rich warm atmosphere to your bedroom, living room, den, dining room, deck, poolside... This unique, impressive, eco-friendly modern answer to the fireplace creates a bright yellow, orange and red flame, spreading cheerful glow across your space, indoor or outdoor. The fuel is non-toxic, non-polluting, has no messy clean up and the fireplace is virtually free of maintenance. One liter of fuel can burn for up to 5 hours. It is especially designed for indoor or outdoor use with special powder coating to give you that flexibility.

### QUESTIONS

For any questions related to parts or installation visit us on the web at [www.anywherefireplace.com](http://www.anywherefireplace.com) or email us at [info@anywherefireplace.com](mailto:info@anywherefireplace.com)

## INSTALLATION

- Choose a location 4 ft. away from flammable objects or materials (drapes, fabrics, furniture, etc.).
- Be sure to remove all packing materials, cardboard, etc.
- The fireplace is intended to be placed on a floor or sturdy surface.
- Follow assembly instructions and safety measures.
- **If you choose to leave fireplace outside, wait until fireplace and burner are cool and either cover or bring the burner indoors to avoid water, leaves, and debris from getting into it.**

## DIRECTIONS FOR USE

- **ONLY USE LIQUID bio-ethanol fuel that is MADE SPECIFICALLY FOR VENTLESS FIREPLACES. It is highly recommended that you only use bottles with a flame arrester. See more information at [www.anywherefireplace.com](http://www.anywherefireplace.com).**
- Carefully pour the liquid fuel into the burner until it can be seen above the perforated holes inside the burner. We recommend you use a funnel to avoid any spillage.
- After filling, replace top to fuel bottle and remove it from the vicinity of the fireplace before lighting.
- Should any fuel spill, please wipe clean before igniting.
- Avoid filling your fireplace on any stained or painted finish surfaces as fuel may damage this finish if spilled.
- Carefully **light fuel using ONLY A LONG wand lighter or long match**. Never lean over or have a body part over the fireplace when lighting.
- It may take a few attempts to light the fuel as it is the vapors that burn. Flame may seem small or a low blue flame at first, but within a few minutes will become orange dancing flames.
- To extinguish the flame, put the holes of the provided handle over the posts on the lid of the burner and slide it completely closed to cut off the oxygen supply to the fuel. This will snuff out the flame. Keep lid closed for at least several minutes to insure fire is totally out.
- If there is fuel remaining in the burner reservoir when you shut off the fire, the fuel may evaporate over time.
- **Never try to move fireplace while lit and allow at least 15 minutes to cool before touching as it will be HOT.**

## DIRECTIONS FOR RELIGHTING

- If it seems like your fireplace ran out of fuel while you are still enjoying it, **ALWAYS KEEP LID CLOSED FOR AT LEAST for 2 minutes** to ensure the flame is completely extinguished.
- **Never attempt to refill the fireplace while still hot.**
- Allow at least 15 minutes for it to cool down before refilling and then start again following the "Directions for Lighting"

**BE SURE TO THOROUGHLY READ THESE WARNINGS!  
FUEL IS FLAMMABLE AND DANGEROUS.  
STRICT ADHERANCE TO THE SAFETY WARNINGS BELOW IS MOST IMPORTANT.**

### WARNINGS:

- To insure safe use, you must carefully read and **adhere to ALL of the manufacturer's instructions**. These instructions should be kept for reference for as long as you own the fireplace and should be provided to anyone planning to use this ethanol fireplace.
- **It is highly recommended that you only use bottles with a flame arrester in the neck.**
- Ethanol Fuel and fireplaces should **ONLY be handled BY ADULTS**. Keep children at a safe distance and never let them operate the fireplace or handle fuel.
- **DO NOT** allow children or pets near fireplace when burning.
- **NEVER OPEN FUEL BOTTLE NEAR OPEN FLAME or leave uncapped near flame or any other ignition source.**
- Do not fill fireplace or leave bottle on a stained or painted surface as it may damage the finish.
- **CLEAN UP ANY FUEL THAT MAY HAVE SPILLED** and make sure any surface moisture from spillage is gone or has evaporated before lighting.
- **NEVER overfill your fuel reservoir**. It is recommended that you fill fuel burner until fuel can be seen above the perforated holes inside the burner.
- After filling your fireplace, be sure to replace bottle top and remove bottle from fireplace vicinity before lighting the fireplace.
- **DO NOT TOUCH** fireplace or glass while it is burning or immediately after burning.
- **Only use an long BBQ/wand lighter or long match to ignite**. Never attempt to ignite with any other device.
- When first lit, the flame may be nearly invisible. The same happens just before fuel runs out. At all times, **be certain that fire is out before refueling**. To be safe, always double check that no flame is present before refilling by closing lid/damper.
- **NEVER REFILL THE FUEL RESERVOIR WHILE THE FLAME IS BURNING OR UNIT IS HOT**. Be sure fuel reservoir has cooled down for at least 15 minutes before attempting to add more fuel.
- **Never store Ethanol Fuel in direct sunlight, or allow fuel to become heated**. Always keep it in a dry cool area and store fuel a safe distance from fireplace, away from children. Keep fuel container closed.
- **NEVER LEAVE A BURNING FIREPLACE UNATTENDED.**
- Never attempt to move the fireplace while it is lit (burning) or is still hot.
- Never place any objects in the fireplace or near the flame (flammable or non-flammable).
- **KEEP FLAMMABLE OBJECTS AT LEAST 4 FT AWAY FROM FIREPLACE WHILE LIT OR HOT.**
- **Use only ethanol fuel made specifically for fireplaces**. See [www.anywherefireplace.com](http://www.anywherefireplace.com) for recommended fuels. Burning common alcohol found in drug stores and home improvement stores is **DANGEROUS**. Their emissions could be toxic and not safe to inhale indoors or even outdoors.
- **ALWAYS READ FUEL SAFETY INSTRUCTIONS provided by fuel manufacturer.**
- This flame will produce heat, but should not be used as a main source of heat.

### First Aid Measures

**Eyes:** Immediately flush affected area with plenty of cool water. Flush eyes for at least 15 minutes. Seek immediate medical attention.

**Skin:** Rinse exposed area well with water and wash with soap. If irritation persists, consult a physician or dermatologist.

**Ingestion:** If victim is conscious and able to swallow, have victim drink water or milk to dilute. Never give anything by mouth if victim is unconscious or convulsing. Do not induce vomiting. Call a physician or poison control center immediately.

**Inhalation:** Immediately move victim into fresh air. In case of breathing difficulties, administer artificial respiration. If there is no immediate improvement, seek medical assistance.

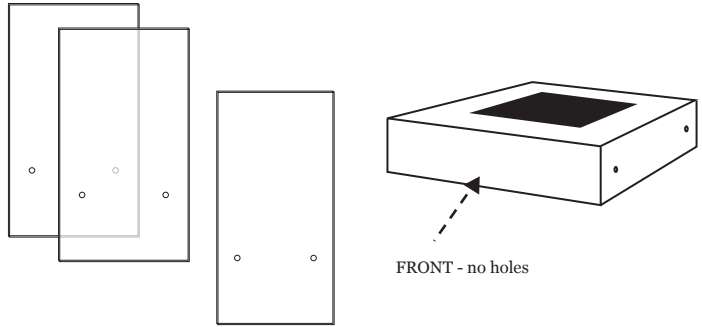
**IF YOU HAVE ANY QUESTIONS AFTER READING THESE SAFETY WARNINGS, DON'T HESITATE TO CONTACT US AT  
INFO@ANYWHEREFIREPLACE.COM or 914-834-5855**

# ASSEMBLY INSTRUCTIONS

We recommend you assemble your fireplace on a carpeted surface or towel to prevent damage to your floor or the fireplace.

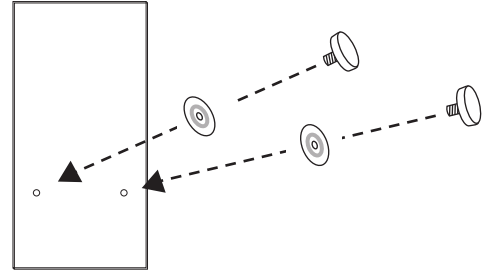
## Step 1

You will notice 2 pieces of glass are a little wider than the 3rd piece (Parts B). The 2 wider pieces are to be used on the sides of the fireplace body (Part A) and the narrower to be used for the back panel. Also please notice that the body of the fireplace has holes on 3 of the 4 sides.



## Step 2

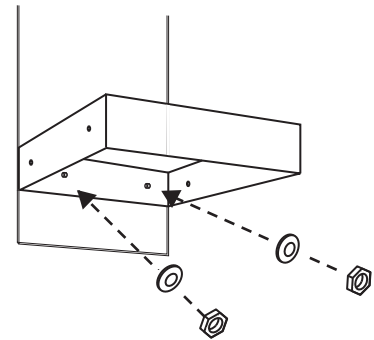
Note: The fireplace is designed to be suspended between three glass pieces. The holes in the glass are 5.25 inches from the bottom of the glass. Select the narrow glass panel (back panel), holding it upright with the holes in the glass closer to the floor, and insert the rubber washers (Part E) into the holes. Insert the black screws (Part D) into the rubber washers.



## Step 3

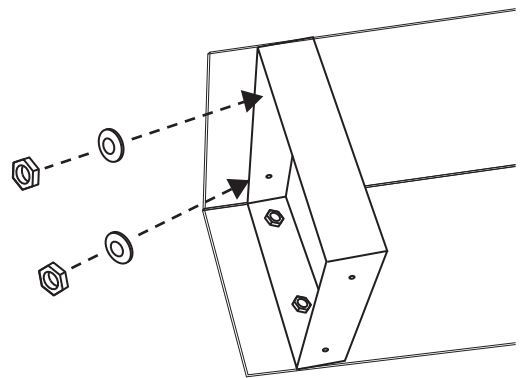
Align the holes on the **back** of the fireplace body (opposite the side with no holes) with the screws. Take a nut and washer (parts G and F) and hold it up to the screws from the underside of the fireplace. Hand tighten the screws while holding the nut in place.

Hand tightening of the nut and screw should be sufficient however if you intend to move your fireplace often to different locations, we suggest you always check that the screws are tight or tighten with a wrench or pliers. **Be sure not to over tighten.**



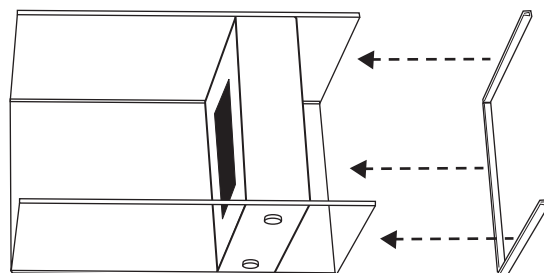
## Step 4

Lay the fireplace body and glass on the floor so that the side of the fireplace body without pre drilled holes is facing up. Insert the rubber washer and black screw into the holes in the glass and line up one of the side pieces of glass with the holes on the side of the body. Secure this glass with the nut and washer by tightening the black screw while holding nut in place. NOTE: When properly assembled, glass should be flush with the front of the body and extend approximately 1/4 inch off the back of the fireplace body to make a perfect 90 degree corner where the side and back glass pieces meet. Repeat same step for the 2nd side of glass.

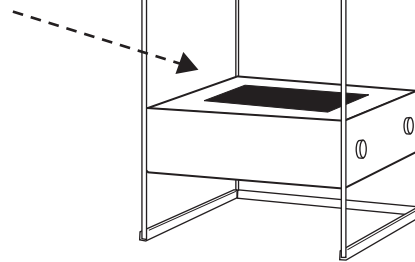
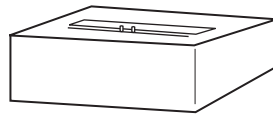


## Step 5

Slide clear rubber floor protector strips (Part H) to bottom of the fireplace glass and turn it upright. If rubber is longer than the glass, you can cut this to proper length with scissors.



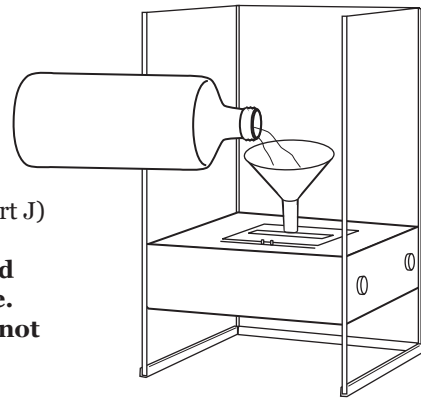
## Step 6



Insert burner (Part C) into the recess space in the fireplace body.

## Step 7

**Carefully** pour in the liquid ethanol fuel using the funnel provided (Part J) and fill approximately  $\frac{3}{4}$  full. You should fill until the fuel is over the perforated holes inside the burner. **If any fuel does spill, you should always wipe up any spilled fuel prior to lighting your fireplace.** You will notice a white cloth like material in your burner. **Do not remove this. It is a fiberglass material safe to burn and is intended to be there for safety and better flames.**

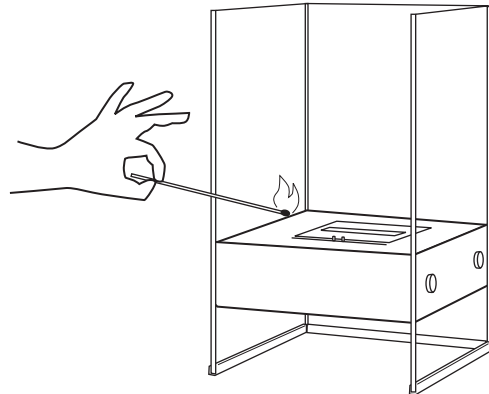


## Step 8

Using a long lighter or long match, light the fuel in the burner and ENJOY!

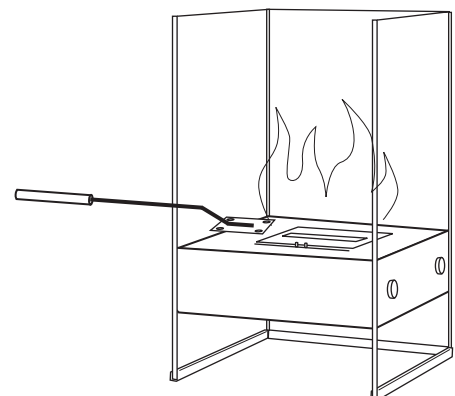
**CAUTION: Fireplace will be hot while lit and may stay hot for a while after extinguishing the flame.**

**ALWAYS USE CAUTION when lighting the fireplace. Never fill the burner with more fuel while the fireplace is still hot or burning. Allow it to cool down before refilling with fuel.**



## Step 9

The handle provided (Part I) has holes that will fit over the posts on the sliding lid of the burner. You can slide the lid of the burner open or closed to get the desired flame height and heat output. When you are ready to extinguish the fireplace, use the handle to slide the lid of the burner completely closed to cut off the oxygen supply to the fuel. This will snuff out the flame.



## INSTRUCCIONES DE USO

- **Vierta cuidadosamente el combustible líquido dentro del quemador hasta que se pueda ver por encima de los orificios perforados del quemador. Recomendamos que use un embudo para evitar derrames.**
- Después de llenar, reemplace la tapa de la botella de combustible y muévela lejos de la proximidad de la chimenea antes de encender.
- En caso de derrame de combustible, asegúrese de limpiar con un trapo antes de encender.
- Evite llenar su chimenea sobre cualquier superficie con acabado coloreado o pintado ya que el combustible puede dañar el acabado en caso de derrame.
- Cuidadosamente **encienda el combustible usando SOLAMENTE UN ENCENDEDOR DE VARITA LARGA o un cerillo largo**. Nunca se incline o tenga una parte de su cuerpo sobre la chimenea cuando la está encendiendo.
- Encender el combustible puede requerir varios intentos porque son los vapores los que se queman. La llama puede parecer pequeña o azul y corta al principio, pero en cuestión de minutos se convertirá en llamas danzantes anaranjadas.
- Para extinguir la llama, coloque los orificios de la palanca de mano provista sobre los postes de la tapa del quemador y deslícela hasta que quede el quemador completamente cerrado para cortar el suministro de oxígeno al combustible. Esto extinguirá la llama. Mantenga la tapa cerrada durante varios minutos para asegurar que el fuego se haya apagado completamente.
- Si quedan restos de combustible en el depósito del quemador cuando usted apaga el fuego, el combustible podría evaporarse con el tiempo.
- **Nunca trate de mover la chimenea mientras esté encendida y deje que pasen por lo menos 15 minutos para que se enfríe antes de tocarla, ya que estará CALIENTE.**

## INSTRUCCIONES PARA VOLVER A ENCENDER

- Si parece que su chimenea se quedó sin combustible mientras la está disfrutando, **SIEMPRE MANTENGA LA MANIJA EN LA APERTURA por 2 minutos** para asegurar que la llama esté totalmente extinguida.
- **Nunca intente volver a llenar la chimenea mientras siga estando caliente.**
- Deje pasar por lo menos 15 minutos para que se enfríe antes de volver a llenarla y luego comience nuevamente siguiendo las "Instrucciones de Encendido".

## ¡ASEGURESE DE LEER CUIDADOSAMENTE LAS SIGUIENTES ADVERTENCIAS!

### EL COMBUSTIBLE ES INFLAMABLE Y PELIGROSO.

### ESTRICTO CUMPLIMIENTO DE LAS ADVERTENCIAS DE SEGURIDAD A CONTINUACION ES LO MÁS IMPORTANTE.

#### ADVERTENCIAS:

- Para asegurar un uso seguro, usted debe leer atentamente y **cumplir con TODAS las instrucciones del fabricante**. Estas instrucciones deben mantenerse como referencia durante el tiempo que usted sea dueño de la chimenea y deben entregarse a cualquier persona que esté planeando de usar esta chimenea de etanol.
- **Se recomienda usar solamente botellas con parallamas en el cuello.**
- El combustible de etanol y las chimeneas **SOLAMENTE deben ser manejados POR ADULTOS**. Mantenga a los niños a una distancia segura y nunca les permita operar la chimenea o manejar el combustible.
- **NO** permita que los niños o las mascotas se acerquen a la chimenea mientras esta encendida.
- **NUNCA ABRA BOTELLAS DE COMBUSTIBLE CERCA DE LAS LLAMAS ABIERTAS ni las deje destapada cerca de la llama o de cualquier otra fuente de ignición.**
- No llene la chimenea ni deje botellas en una superficie coloreada o pintada ya que podría dañar el acabado.
- **LIMPIE TODO RASTRO DE COMBUSTIBLE QUE PUDIERA HABERSE DERRAMADO y asegúrese de que toda humedad de la superficie producida por el derrame haya desaparecido o se haya evaporado antes de encenderla.**
- **NUNCA sobrellene el depósito de combustible**. Se recomienda que llene el depósito de combustible hasta que se lo pueda ver por encima de los orificios perforados del quemador.
- Después de llenar su chimenea, asegúrese de reemplazar la tapa de la botella y mantener la botella lejos de la chimenea antes de encender la chimenea. **NO TOQUE** la chimenea o el vidrio mientras esté en combustión o inmediatamente después de haber estado en combustión.
- **Solamente utilice un encendedor para barbacoa de varita o un cerillo largo para encender**. Nunca intente encender con ningún otro dispositivo.
- Cuando se enciende por primera vez, la llama puede ser casi invisible. Lo mismo sucede justo antes de que el combustible se agote. En todo momento, **asegúrese de que el fuego se ha apagado antes de volver a cargar el combustible**. Para estar seguro, siempre asegúrese que no hay presencia de llama antes de volver a llenar, cerrando la tapa/amortiguador.
- **NUNCA VUELVA A LLENAR EL DEPÓSITO DE COMBUSTIBLE MIENTRAS LA LLAMA ESTÉ QUEMANDO O LA UNIDAD ESTÉ CALIENTE**. Asegúrese de que el depósito de combustible se haya enfriado apropiadamente por lo menos 15 minutos antes de intentar añadir más combustible.
- **Nunca almacene Combustible de Etanol bajo la luz directa del sol, ni permita que el combustible se caliente**. Siempre manténgalo en un lugar fresco y seco y guarde el combustible a una distancia segura de la chimenea, lejos de los niños. Mantenga el recipiente del combustible cerrado.
- **NUNCA DEJE UNA CHIMENEA ENCENDIDA SIN ATENDER.**
- Nunca intente mover la chimenea mientras está encendida o todavía caliente.
- Nunca coloque objetos en la chimenea o cerca de la llama (inflamable o no inflamable).
- **MANTENGA OBJETOS INFLAMABLES A POR LO MENOS 4 PIES DE DISTANCIA DE LA CHIMENEA MIENTRAS ESTÉ ENCENDIDA O CALIENTE.**
- **Use solamente combustible de etanol hecho específicamente para chimeneas**. Vea [www.anywherfireplace.com](http://www.anywherfireplace.com) donde se presenta una lista de combustibles recomendados. Quemar el alcohol de común que se encuentran en farmacias o ferreterías es PELIGROSO. Sus emanaciones pueden ser tóxicas y dañinas al inhalar en el interior o incluso al aire libre.
- **SIEMPRE LEA LAS INSTRUCCIONES DE SEGURIDAD CON REFERENCIA A COMBUSTIBLE proporcionadas por el fabricante.**
- Esta llama producirá calor, pero no se la debe usar como la fuente principal de calefacción.

#### Medidas de Primeros Auxilios

**Ojos:** Inmediatamente enjuague el área afectada con bastante agua fría. Enjuague los ojos durante al menos 15 minutos. Busque atención médica inmediata.

**Piel:** Enjuague bien el área expuesta con agua y lave con jabón. Si la irritación persiste, consulte a un médico o dermatólogo.

**Ingestión:** Si la víctima está consciente y puede tragar, dele agua o leche para diluir. No suministre nada por la boca si la víctima se encuentra inconsciente o tiene convulsiones. No induzca el vómito. Llame inmediatamente a un médico o a un centro de control de intoxicación.

**Inhalación:** **Saque** inmediatamente a la víctima al aire fresco. En caso de dificultad de respirar, administre respiración artificial. Si no hay mejoría inmediata, busque asistencia médica.

**SI TIENE PREGUNTAS DESPUÉS DE LEER ESTAS ADVERTENCIAS DE SEGURIDAD, NO DUDE EN CONTACTARNOS EN  
INFO@ANYWHEREFIREPLACE.COM o al 914-834-5855**

#### MODE D'EMPLOI POUR L'UTILISATION

- **UTILISEZ SEULEMENT DU COMBUSTIBLE bioéthanol SPÉCIALEMENT CONÇU POUR LES CHEMINÉES SANS CONDUIT. Il est grandement recommandé d'utiliser seulement des bouteilles munies d'un coupe-flamme. Pour plus d'informations, consultez [www.anywherefireplace.com](http://www.anywherefireplace.com).**
- Versez soigneusement le combustible dans le réservoir jusqu'au dessus des trous perforés dans le brûleur. Nous recommandons d'utiliser un entonnoir pour éviter toutes éclaboussures.
- Après avoir versé le combustible, rebouchez la bouteille et éloignez-la de la cheminée avant l'allumage.
- Si du combustible s'est répandu, essuyez-le s'il vous plaît avant l'allumage.
- Évitez de remplir votre cheminée sur une surface peinte ou laquée, le combustible répandu pouvant endommager la peinture.
- **Allumez soigneusement le combustible en utilisant SEULEMENT un briquet à longue mèche ou une longue allumette.** Ne vous penchez jamais et n'exposez jamais une partie de votre corps au-dessus de la cheminée au moment de l'allumage.
- L'allumage peut requérir plusieurs tentatives dans la mesure où se sont les vapeurs qui brûlent. La flamme peut au départ paraître petite ou bleue mais après quelques minutes, elle se transformera en des flammes dansantes oranges.
- Pour éteindre la flamme, placez les trous de la poignée fournie dans les encoches sur le couvercle du brûleur et fermez-le complètement pour couper l'arrivée d'oxygène pour le combustible. Cela éteindra la flamme. Gardez le couvercle fermé pour au moins plusieurs minutes pour être sûr que le feu est complètement éteint.
- S'il reste du combustible dans le réservoir au moment où vous éteignez le feu, le combustible s'évaporerait après un certain temps.
- **N'essayez jamais de déplacer la cheminée allumée et laissez refroidir 15 minutes avant de la toucher car elle sera CHAUDE.**

#### MODE D'EMPLOI POUR LE RALLUMAGE

- S'il n'y a plus de combustible dans votre cheminée et que vous voulez continuer à en profiter, **FERMEZ TOUJOURS LE COUVERCLE pour 2 minutes** pour être sûr que la flamme est complètement éteinte.
- **N'essayez jamais de remplir la cheminée alors qu'elle est toujours chaude.**
- Laissez refroidir au moins 15 minutes avant le remplissage puis rallumez en suivant le "Mode d'emploi pour l'allumage".

#### ATTENTION LISEZ ATTENTIVEMENT CES PRÉCAUTIONS D'EMPLOI!

##### LE COMBUSTIBLE EST INFLAMMABLE ET DANGEREUX.

##### IL EST TRÈS IMPORTANT DE RESPECTER STRICTEMENT LES CONSIGNES DE SÉCURITÉ CI-DESSOUS

#### PRÉCAUTIONS D'EMPLOI:

- Pour assurer une utilisation sans danger, vous devez lire attentivement et **respecter TOUS les modes d'emploi fournis par le fabricant.** Ces modes d'emploi doivent être gardés comme référence pendant toute la durée de possession de la cheminée et doivent être fournis à toutes personnes qui décident d'utiliser cette cheminée éthanol.
- **Il est grandement recommandé d'utiliser seulement des bouteilles avec un coupe-flamme dans le goulot.**
- Le combustible à l'éthanol et les cheminées doivent **être utilisés SEULEMENT PAR DES ADULTES.** Éloignez les enfants et ne les laissez jamais manipuler la cheminée ou le combustible.
- **ÉLOIGNEZ** les enfants ou les animaux de la cheminée pendant le fonctionnement.
- **NE JAMAIS OUVRIR UNE BOUTEILLE DE COMBUSTIBLE PRÈS D'UNE FLAMME** ou la laisser débouchée près d'une flamme ou d'un autre produit inflammable.
- Ne remplissez pas la cheminée et ne laissez pas le combustible sur une surface peinte ou laquée, la peinture pouvant être endommagée.
- **ESSUYEZ TOUTES ECLABOUSSURES DE COMBUSTIBLE** et assurez-vous que la surface soit sèche avant l'allumage.
- **NE PAS faire déborder le réservoir.** Il est recommandé de remplir le réservoir jusqu'au dessus des trous perforés dans le brûleur.
- Après avoir rempli votre cheminée, rebouchez la bouteille et éloignez-la de la cheminée avant l'allumage. **NE TOUCHEZ PAS** la cheminée ou la vitre pendant le fonctionnement ou immédiatement après.
- **Utilisez seulement un briquet de type Barbecue ou une longue allumette** pour l'allumage. N'essayez jamais d'allumer avec un autre objet.
- Au début, la flamme peut être pratiquement invisible. La même chose se produit juste avant que le combustible soit complètement brûlé. **Faites toujours attention à ce que le feu soit éteint avant de remettre du combustible.** Par mesure de sécurité, vérifiez toujours avant le remplissage qu'il n'y a plus de flamme en refermant le couvercle/registre.
- **NE JAMAIS REMPLIR LE RÉSERVOIR PENDANT LE FONCTIONNEMENT OU QUAND LE FOYER EST CHAUD.** Laissez refroidir le réservoir **au moins 15 minutes** avant de rajouter du combustible.
- **Ne jamais ranger l'éthanol dans un endroit ensoleillé ou laisser le combustible se réchauffer.** Le conserver dans un endroit sec et frais, éloigné de la cheminée et hors de portée des enfants. Gardez le bidon bouché.
- **NE JAMAIS LAISSER UNE CHEMINÉE EN FONCTIONNEMENT SANS SURVEILLANCE.**
- N'essayez jamais de déplacer la cheminée lorsqu'elle est en fonctionnement ou encore chaude.
- Ne jamais mettre d'objets (inflammables ou non inflammables) dans la cheminée ou près de la flamme.
- **GARDEZ LES OBJETS INFLAMMABLES À AU MOINS UN MÈTRE VINGT DE LA CHEMINÉE QUAND ELLE EST EN FONCTIONNEMENT OU ENCORE CHAUDE.**
- Utilisez **seulement du combustible éthanol spécialement conçu pour cheminées.** Voir sur [www.anywherefireplace.com](http://www.anywherefireplace.com) pour les combustibles recommandés. Brûlé de l'alcool acheté dans une quincaillerie ou dans un autre magasin est DANGEREUX. Leurs émissions peuvent être toxiques et dangereuses pour la respiration à l'intérieur de la maison et même à l'extérieur.
- **LISEZ TOUJOURS LES PRÉCAUTIONS D'EMPLOI POUR LE COMBUSTIBLE** fournies par le fabricant.
- Cette flamme produit de la chaleur mais elle ne doit pas être utilisée comme principale source de chaleur.

#### Premiers secours

**Les yeux:** Rincez immédiatement et abondamment la partie affectée à l'eau froide. Rincez les yeux pendant au moins 15 minutes. Consultez un médecin immédiatement.

**La peau:** Rincez abondamment à l'eau et lavez avec du savon. Si l'irritation persiste, consultez un médecin ou un dermatologue.

**Ingestion:** Si la victime est consciente et peut avaler, faites-la boire de l'eau ou du lait pour diluer. Ne jamais donner à boire à une victime inconsciente ou en convulsion. Ne pas faire vomir. Appelez un médecin ou un centre anti poisons immédiatement.

**Inhalation:** Déplacez immédiatement la victime à l'air frais. Dans le cas de difficultés à respirer, pratiquez la respiration artificielle. S'il n'y a pas d'amélioration immédiate, consultez un médecin.

**SI VOUS AVEZ ENCORE DES QUESTIONS APRÈS AVOIR LU CES CONSIGNES DE SÉCURITÉ, N'HÉSITÉS PAS À NOUS CONTACTER À :  
INFO@ANYWHEREFIREPLACE.COM ou 914-834-5855**