



anywhere
fireplace®

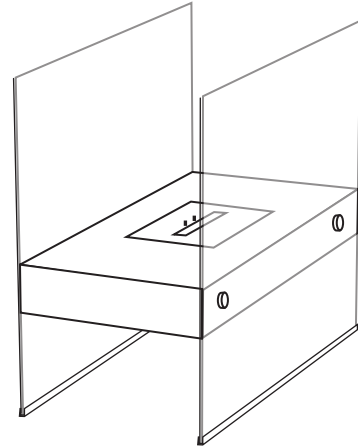
ambiance of fire... anywhere

www.anywherefireplace.com

Devco LLC

Larchmont, NY 10538



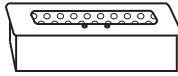
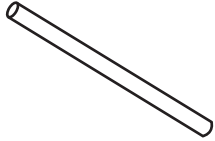


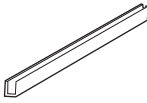
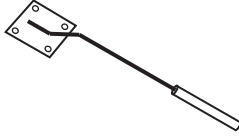

This product has been designed for your enjoyment. Please carefully read all warnings and installation instructions before use.



Model: Madison

Item #90206

INCLUDED ITEMS

 <p>FIREPLACE BASE (A) x 1</p>	 <p>GLASS PANEL (B) x 2</p>	 <p>BURNER (C) x 1</p>	 <p>SUPPORT ROD (D) x 2</p>	
 <p>BLACK SCREW (E) x 4</p>	 <p>TRANSPARENT WASHER (F) x 4</p>	 <p>RUBBER FLOOR PROTECTOR (G) x 2</p>	 <p>BURNER HANDLE (H) x 1</p>	 <p>FUNNEL (I) x 1</p>

ANYWHERE FIREPLACE™

The high style and distinctive contemporary design of the **Anywhere Fireplace™** allows the ambiance of a fire to be enjoyed in any room, garden or patio. It is ventless, requiring no chimney or gas line because it uses clean burning bio-ethanol liquid fuel that is smokeless, odorless, and leaves no soot or ash. You can place the **Anywhere Fireplace™** in your house, condo, apartment, terrace, garden, office or restaurant. It is sure to match any decor and adds a rich warm atmosphere to your bedroom, living room, den, dining room... This unique, impressive, eco-friendly modern answer to the fireplace creates a bright yellow, orange and red flame, spreading cheerful glow across the room. It is non-toxic, non-polluting, has no messy clean up and is virtually free of maintenance. One liter of fuel can burn for up to 5 hours. It is especially designed for indoor or outdoor use with special powder coating finish to give you that flexibility. For outdoor use, we also include a cover to ensure that no water or debris gets into the burner.

QUESTIONS

For any questions related to parts or installation visit us on the web at www.anywherefireplace.com or email us at info@anywherefireplace.com

INSTALLATION

- Choose a location 4 ft. away from flammable objects or materials (drapes, fabrics, furniture, etc.).
- Be sure to remove all packing materials, cardboard, etc.
- The fireplace is intended to be placed on a floor or sturdy surface.
- Follow assembly instructions and safety measures.
- **If you choose to leave fireplace outside, wait until fireplace and burner are cool and either cover or bring the burner indoors to avoid water, leaves, and debris from getting into it.**

DIRECTIONS FOR USE

- **ONLY USE LIQUID bio-ethanol fuel that is MADE SPECIFICALLY FOR VENTLESS FIREPLACES. It is highly recommended that you only use bottles with a flame arrester. See more information at www.anywherefireplace.com.**
- Carefully pour the liquid fuel into the burner until it can be seen above the perforated holes inside the burner. We recommend you use a funnel to avoid any spillage.
- After filling, replace top to fuel bottle and remove it from the vicinity of the fireplace before lighting.
- Should any fuel spill, please wipe clean before igniting.
- Avoid filling your fireplace on any stained or painted finish surfaces as fuel may damage this finish if spilled.
- Carefully **light fuel using ONLY A LONG wand lighter or long match**. Never lean over or have a body part over the fireplace when lighting.
- It may take a few attempts to light the fuel as it is the vapors that burn. Flame may seem small or a low blue flame at first, but within a few minutes will become orange dancing flames.
- To extinguish the flame, put the holes of the provided handle over the posts on the lid of the burner and slide it completely closed to cut off the oxygen supply to the fuel. This will snuff out the flame. Keep lid closed for at least several minutes to insure fire is totally out.
- If there is fuel remaining in the burner reservoir when you shut off the fire, the fuel may evaporate over time.
- **Never try to move fireplace while lit and allow at least 15 minutes to cool before touching as it will be HOT.**

DIRECTIONS FOR RELIGHTING

- If it seems like your fireplace ran out of fuel while you are still enjoying it, **ALWAYS KEEP LID CLOSED FOR AT LEAST for 2 minutes** to ensure the flame is completely extinguished.
- **Never attempt to refill the fireplace while still hot.**
- Allow at least 15 minutes for it to cool down before refilling and then start again following the "Directions for Lighting"

BE SURE TO THOROUGHLY READ THESE WARNINGS!

FUEL IS FLAMMABLE AND DANGEROUS.

STRICT ADHERANCE TO THE SAFETY WARNINGS BELOW IS MOST IMPORTANT.

WARNINGS:

- To insure safe use, you must carefully read and **adhere to ALL of the manufacturer's instructions**. These instructions should be kept for reference for as long as you own the fireplace and should be provided to anyone planning to use this ethanol fireplace.
- **It is highly recommended that you only use bottles with a flame arrester in the neck.**
- Ethanol Fuel and fireplaces should **ONLY be handled BY ADULTS**. Keep children at a safe distance and never let them operate the fireplace or handle fuel.
- **DO NOT** allow children or pets near fireplace when burning.
- **NEVER OPEN FUEL BOTTLE NEAR OPEN FLAME or leave uncapped near flame or any other ignition source.**
- Do not fill fireplace or leave bottle on a stained or painted surface as it may damage the finish.
- **CLEAN UP ANY FUEL THAT MAY HAVE SPILLED** and make sure any surface moisture from spillage is gone or has evaporated before lighting.
- **NEVER overfill your fuel reservoir.** It is recommended that you fill fuel burner until fuel can be seen above the perforated holes inside the burner.
- After filling your fireplace, be sure to replace bottle top and remove bottle from fireplace vicinity before lighting the fireplace.
- **DO NOT TOUCH** fireplace or glass while it is burning or immediately after burning.
- **Only use an long BBQ/wand lighter or long match to ignite.** Never attempt to ignite with any other device.
- When first lit, the flame may be nearly invisible. The same happens just before fuel runs out. At all times, **be certain that fire is out before refueling.** To be safe, always double check that no flame is present before refilling by closing lid/damper.
- **NEVER REFILL THE FUEL RESERVOIR WHILE THE FLAME IS BURNING OR UNIT IS HOT.** Be sure fuel reservoir has cooled down for at least 15 minutes before attempting to add more fuel.
- **Never store Ethanol Fuel in direct sunlight, or allow fuel to become heated.** Always keep it in a dry cool area and store fuel a safe distance from fireplace, away from children. Keep fuel container closed.
- **NEVER LEAVE A BURNING FIREPLACE UNATTENDED.**
- Never attempt to move the fireplace while it is lit (burning) or is still hot.
- Never place any objects in the fireplace or near the flame (flammable or non-flammable).
- **KEEP FLAMMABLE OBJECTS AT LEAST 4 FT AWAY FROM FIREPLACE WHILE LIT OR HOT.**
- **Use only ethanol fuel made specifically for fireplaces.** See www.anywherefireplace.com for recommended fuels. Burning common alcohol found in drug stores and home improvement stores is DANGEROUS. Their emissions could be toxic and not safe to inhale indoors or even outdoors.
- **ALWAYS READ FUEL SAFETY INSTRUCTIONS provided by fuel manufacturer.**
- This flame will produce heat, but should not be used as a main source of heat.

First Aid Measures

Eyes: Immediately flush affected area with plenty of cool water. Flush eyes for at least 15 minutes. Seek immediate medical attention.

Skin: Rinse exposed area well with water and wash with soap. If irritation persists, consult a physician or dermatologist.

Ingestion: If victim is conscious and able to swallow, have victim drink water or milk to dilute. Never give anything by mouth if victim is unconscious or convulsing. Do not induce vomiting. Call a physician or poison control center immediately.

Inhalation: Immediately move victim into fresh air. In case of breathing difficulties, administer artificial respiration. If there is no immediate improvement, seek medical assistance.

IF YOU HAVE ANY QUESTIONS AFTER READING THESE SAFETY WARNINGS, DON'T HESITATE TO CONTACT US AT INFO@ANYWHEREFIREPLACE.COM or 914-834-5855

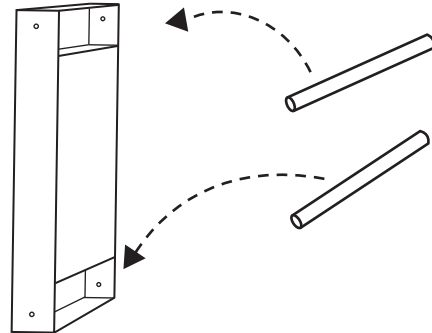
ASSEMBLY INSTRUCTIONS

We suggest you assemble your fireplace on a carpeted surface or on a towel to avoid any scratches to your floor or fireplace.

Please disassemble Rods (Part D) from fireplace body (Part A) by removing the screws and rubber washers (Parts E/F) before beginning assembly steps below.

Step 1

Put fireplace body (Part A) on its narrow side standing upright and insert support rods (part D) into each side, across the inside of the body, so that the rods line up with the pre-drilled set of holes on each side the fireplace body. We recommend you do this on a towel, carpet or other soft surface so that you don't scratch the fireplace finish



Step 2

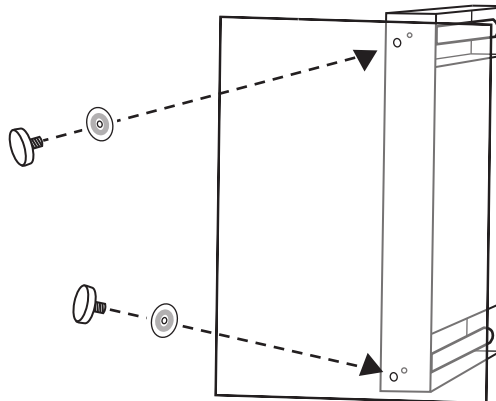
Line up the first piece of glass (Part B) so that the holes in the glass line up with the holes in the body. It may help to have another person assist in holding the glass steady when attaching.

Note: The fireplace is designed to be suspended between the glass pieces 9 inches from the screws to the floor. Holes in the glass are not centered vertically. The holes in the glass are 9 inches from the intended bottom and should be closer to you when attaching glass. When attaching the glass, make sure the underside of the fireplace body is facing this intended bottom of the glass.



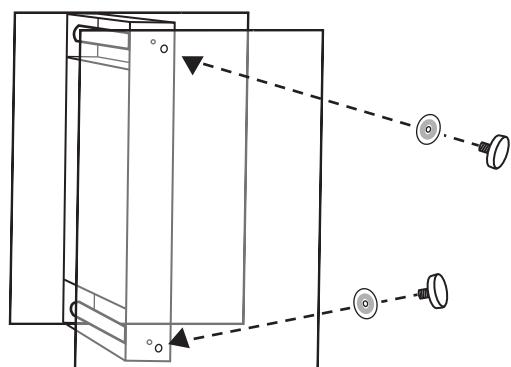
Step 3

Insert transparent washers (Part F) into holes in glass and using the black screws (Part E) screw the glass to the body. The screws attach to the support rod in the underside of the fireplace so make sure these are all in alignment.



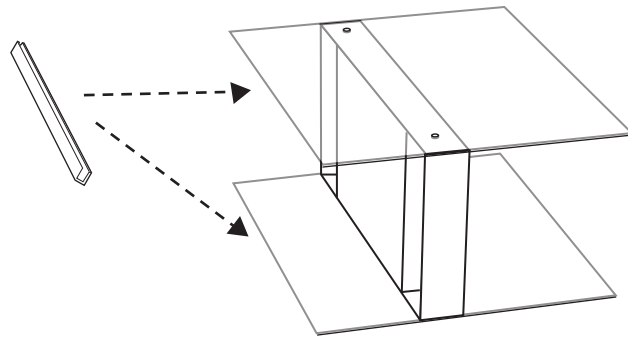
Step 4

Take the second piece of glass and repeat Step 3 on the other side of the fireplace.



Step 5

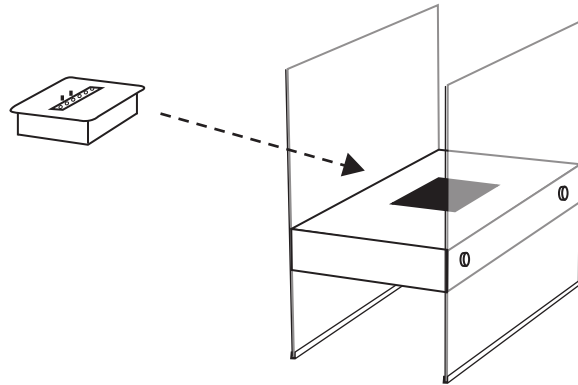
Attach clear rubber floor protectors (Part G) to bottom the fireplace glass and turn it upright. If rubber is longer than the glass, you can cut this to length with a scissor. This is to help protect the glass when standing.



Step 6

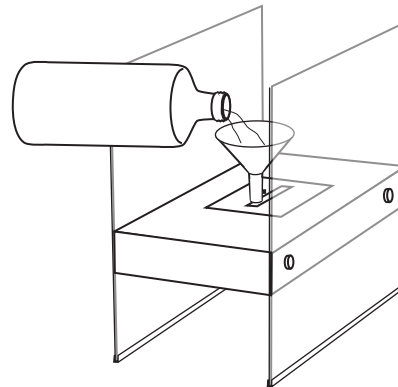
Insert burner in the rectangular recess in the center of the fireplace frame.

NOTE: Your burner contains white fiberglass wicking material inside it. Keep this in the burner as it is intended for safety in the event of a possible spill if the fireplace should ever get tipped over. It will also make the flames more consistent.



Step 7

Using the funnel provided (Part I), carefully pour in the **liquid ethanol fuel for fireplaces** into the burner $\frac{3}{4}$ full. If any fuel does spill, you should **always** wipe it up prior to lighting your fireplace.



Step 8

Using a long lighter or long match, light the fuel in the burner and ENJOY!

The handle provided (Part H) has holes that will fit over the posts on the sliding lid of the burner. You can slide the lid of the burner open or closed to get the desired flame height and heat output. When you are ready to extinguish the fireplace, use the handle to slide the lid of the burner completely closed to cut off the oxygen supply to the fuel. This will snuff out the flame.

CAUTION: Fireplace will be hot while lit and may stay hot for a while after extinguishing the flame.

ALWAYS USE CAUTION when lighting the fireplace. Never fill the burner with more fuel while the fireplace is still hot or burning. Allow it to cool down before refilling with fuel.

